



# SINGLE LIQUID CARTRIDGE HOUSING

FLOW RATES TO 20 GPM

**P44**

Purolator's Model 44 Liquid Cartridge housing gives the versatility of choosing cartridges for the needed flow rates, chemical compatibility and particle retention. They are a good choice to use in applications where a low micron retention is required. **Model P44 accommodates one element in either 10, 20, 30 or 40 inch lengths.**

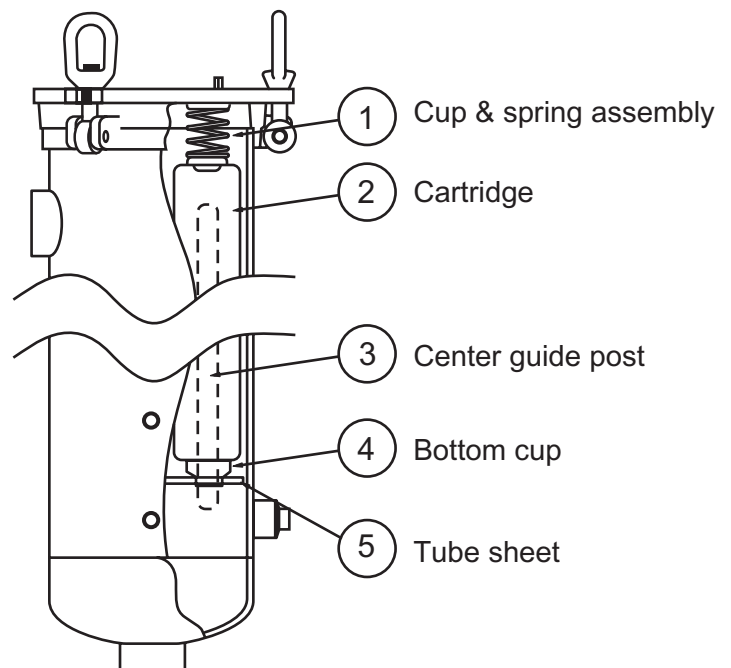
## FEATURES

- Carbon or stainless steel construction
- Plated quick swing closure with eye nuts
- Buna lid seal
- 316 SS cup & spring assemblies
- 300 PSI pressure rating
- Differential, drain, and vent ports
- 316 SS center guide post
- Epoxy paint - inside and out - on carbon steel

## OPTIONS

- Duplexing for continual flow during maintenance
- Higher pressure rating
- ASME code U or UM
- Adjustable support legs
- Specify element type
  - DOE (Double Open Ended) cartridges
  - 222 style O-ring with closed top cap
  - 226 style with closed top cap

NOTE: Element is not included in the filter, but the type of element must be specified at time of housing order.



**PUROLATOR FACET, INC.**  
a **CLARCOR** company

[www.purolator-facet.com](http://www.purolator-facet.com)

8439 Triad Drive, Greensboro, NC 27409-9621

Phone: (800) 852-4449 or (336) 668-4444

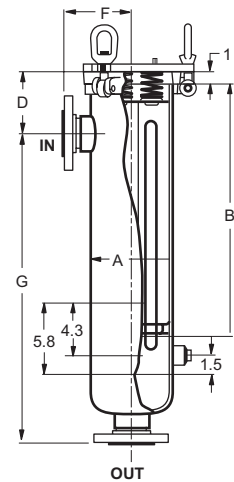
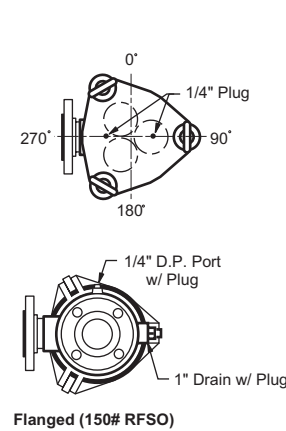
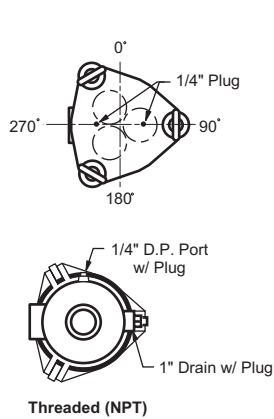
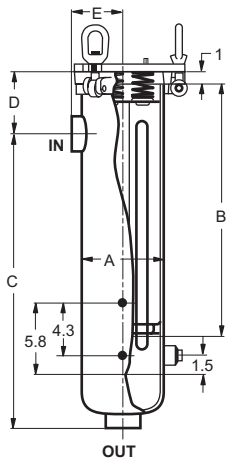
Fax: (336) 668-4452

Email: [info@purolator-facet.com](mailto:info@purolator-facet.com)

## DIMENSIONAL INFORMATION

### P44 DIMENSIONS

MODEL	CARTRIDGE LENGTH	CONN. SIZE OPTIONS	# CARTRIDGES	A	B	C	D	E	F	G
P44	10	.75, 1, 1.25, 1.50, 2	1	4.5	12.5	14.7	4.0	3.5	4.5	15.7
	20		1	4.5	22.5	24.7	4.0	3.5	4.5	25.7
	30		1	4.5	32.5	34.7	4.0	3.5	4.5	35.7
	40		1	4.5	42.5	44.7	4.0	3.5	4.5	45.7



### BUILDING A PART NUMBER

P44            

CODE	CARTRIDGE LENGTH
10	10 inches
20	20 inches
30	30 inches
40	40 inches

CODE	CONNECTOR SIZE
1	.75 inches
2	1 inches
3	1.25 inches
4	1.50 inches
5	2 inches

CODE	CONNECTOR TYPE
N	NPT
F	Flange

CODE	ELEMENT TOP
S	Single open ended
F	Fin style

CODE	ELEMENT BASE
D	Double open ended
2	222 style O-rings
6	226 style O-rings

CODE	MATERIAL
C	Carbon Steel
4	304 SS
6	316 SS

**EXAMPLE P/N:**

P44 20 2 N C 2 S

Sample P/N for 20" cartridge with 2" NPT connector made from carbon with 222 style o-rings and a single open ended top.