



6-ROUND LIQUID CARTRIDGE HOUSING

FLOW RATES TO 120 GPM

P88

Purolator's Model 88 Liquid Cartridge housing gives the versatility of choosing cartridges for the needed flow rates, chemical compatibility and particle retention. They are a good choice to use in applications where a low micron retention is required. Model P88 accommodates six elements in either 20, 30 or 40 inch lengths.

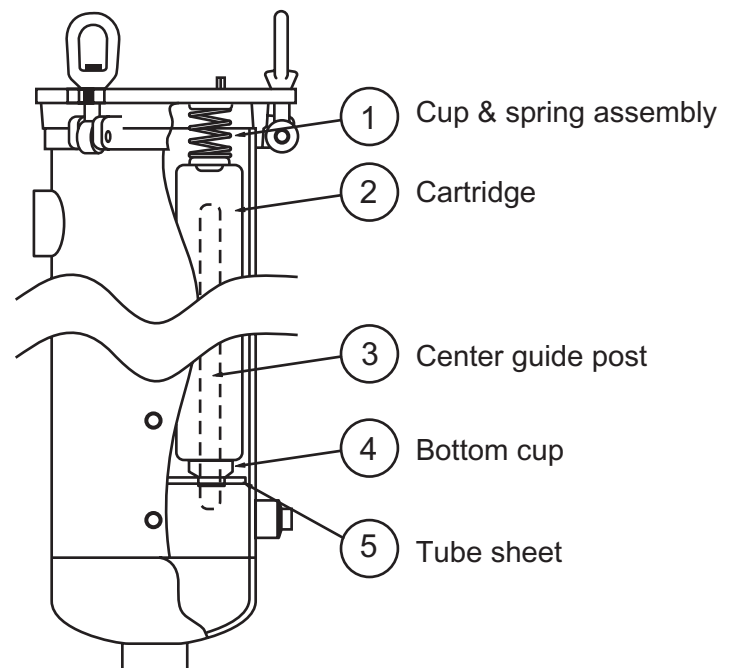
FEATURES

- Carbon or stainless steel construction
- Plated quick swing closure with eye nuts
- Buna lid seal
- 316 SS cup & spring assemblies
- 150 PSI pressure rating
- Differential, drain, and vent ports
- 316 SS center guide post
- Epoxy paint - inside and out - on carbon steel
- Adjustable support legs

OPTIONS

- Duplexing for continual flow during maintenance
- Higher pressure rating
- ASME code U or UM
- DOE (Double Open Ended) cartridges
 - 222 O-ring cartridges
 - 226 O-ring cartridges

Note: Elements are not included in the filter, but the type of element must be specified when ordering the housing.



PUROLATOR FACET, INC.
a CLARCOR company

www.purolator-facet.com

8439 Triad Drive, Greensboro, NC 27409-9621

Phone: (800) 852-4449 or (336) 668-4444

Fax: (336) 668-4452

Email: info@purolator-facet.com

Purolator Facet, Inc. • Made in the USA
 8439 Triad Drive • Greensboro, NC 27409-9621
 Phone: (800) 852-4449 or (336) 668-4444
 Fax: (336) 668-4452
 Email: info@purolator-facet.com • www.purolator-facet.com

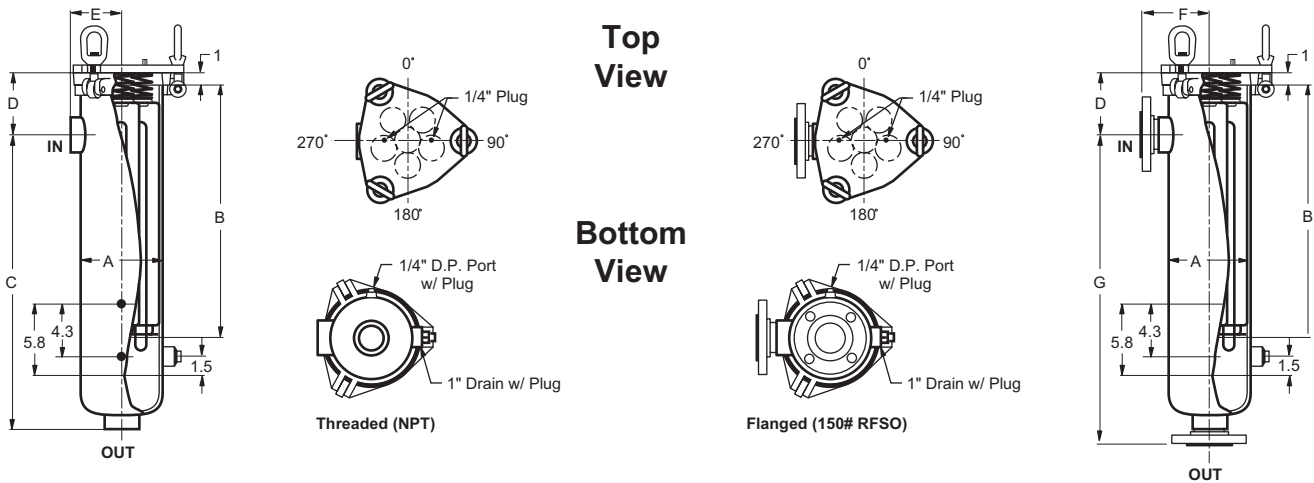


DIMENSIONAL INFORMATION

P88 DIMENSIONS

MODEL	CARTRIDGE LENGTH	CONN. SIZE OPTIONS	# CARTRIDGES	A	B	C	D	E	F	G
P88	20	2, 3, 4	6	8.6	24.5	23.8	6.0	5.4	6.5	24.8
	30		6	8.6	34.5	33.8	6.0	5.4	6.5	34.8
	40		6	8.6	44.5	43.8	6.0	5.4	6.5	44.8

(Approximate inches)



BUILDING A PART NUMBER

P88						
------------	--	--	--	--	--	--

CODE	CARTRIDGE LENGTH
20	20 inches
30	30 inches
40	40 inches

CODE	CONNECTOR SIZE
2	2 inches
3	3 inches
4	4 inches

CODE	CONNECTOR TYPE
N	NPT
F	Flange

CODE	ELEMENT TOP
S	Single open ended
F	Fin style

CODE	ELEMENT BASE
D	Double open ended
2	222 style O-rings
6	226 style O-rings

CODE	MATERIAL
C	Carbon Steel
4	304 SS
6	316 SS

EXAMPLE P/N:
P88 20 2 N C 2 S

Sample P/N for 20" cartridge with 2" NPT connector made from carbon with 222 style o-rings and a single open ended top.

Note: Cartridges not included, but must be specified as to the type when ordering the housing.